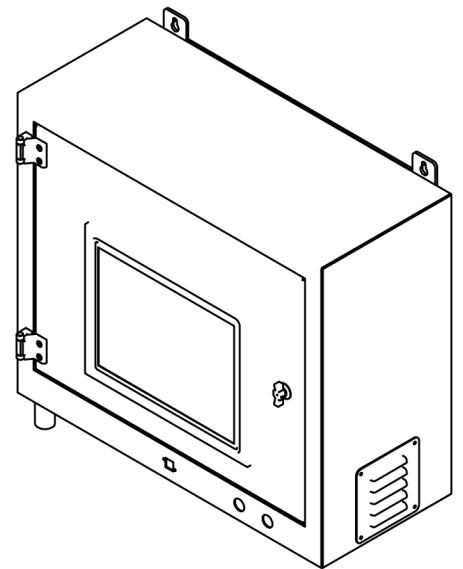


* Please note that the scan head must be mounted within 6 ft of the control panel.



<p>INVISIBLE LASER RADIATION AVOID EYE OR SKIN EXPOSURE TO DIRECT OR SCATTERED RADIATION CLASS 4 LASER PRODUCT</p> <p>Wavelength 1040 - 1200 nm Pulsed output - Max average power < 100W - Max pulse energy < 2.0 mJ - Repetition freq. 1 - 1000kHz - Pulse duration 1ns - 500ns CW Output power < 100W IEC EN 60825 - 1:2007</p>	<p>Component for incorporation</p> <p>This product is intended as a component for incorporation into a laser product, and as such, requires additional features for Laser Safety and to comply with IEC/EN60825 - 1 and 21CFR1040.10</p>	<p>VISIBLE LASER RADIATION AVOID DIRECT EYE EXPOSURE CLASS 3 LASER PRODUCT</p> <p>Wavelength 630 - 670 nm OUTPUT < 5mW CW IEC EN 60825 - 1:2007</p>
--	---	--

