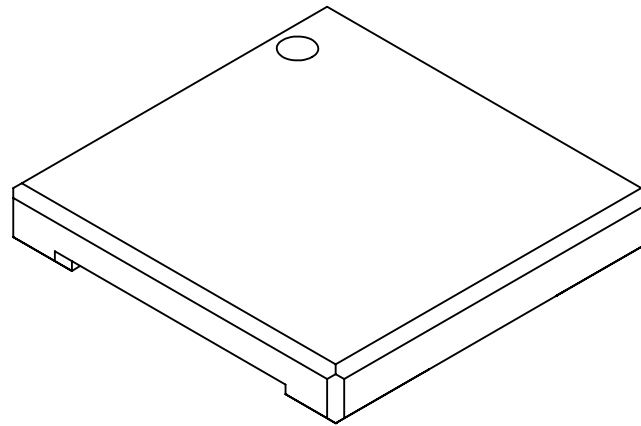


REVISIONS		
REV.	DESCRIPTION	DATE
A	RELEASED	4/28/2016



UNLESS OTHERWISE SPECIFIED:
 ALL ALUMINUM WILL BE BLACK ANODIZED
 DIMENSIONS ARE IN INCHES
 TOLERANCES:
 FRACTIONAL ±
 ANGULAR: MACH ± BEND ±
 TWO PLACE DECIMAL ±0.01
 THREE PLACE DECIMAL ±0.005
 MAX SURFACE FINISH: 125µIN
 DOWEL HOLE TOLERANCES:
 P.F. +0.0000/-0.0005
 S.F. +0.0010/+0.0005
 MATERIAL:
 ACETAL
 FINISH
 WHITE
 DO NOT SCALE DRAWING

PROPRIETARY AND CONFIDENTIAL
 THE INFORMATION CONTAINED IN THIS
 DRAWING IS THE SOLE PROPERTY OF
 LASER MARKING TECHNOLOGIES, LLC.
 ANY REPRODUCTION IN PART OR AS A
 WHOLE WITHOUT THE WRITTEN PERMISSION
 OF LASER MARKING TECHNOLOGIES, LLC
 IS PROHIBITED.

	NAME	DATE
DRAWN	JP	4/28/2016
CHECKED		
ENG APPR.		
MFG APPR.		
Q.A.		
COMMENTS:		

 Laser Marking Technologies, LLC

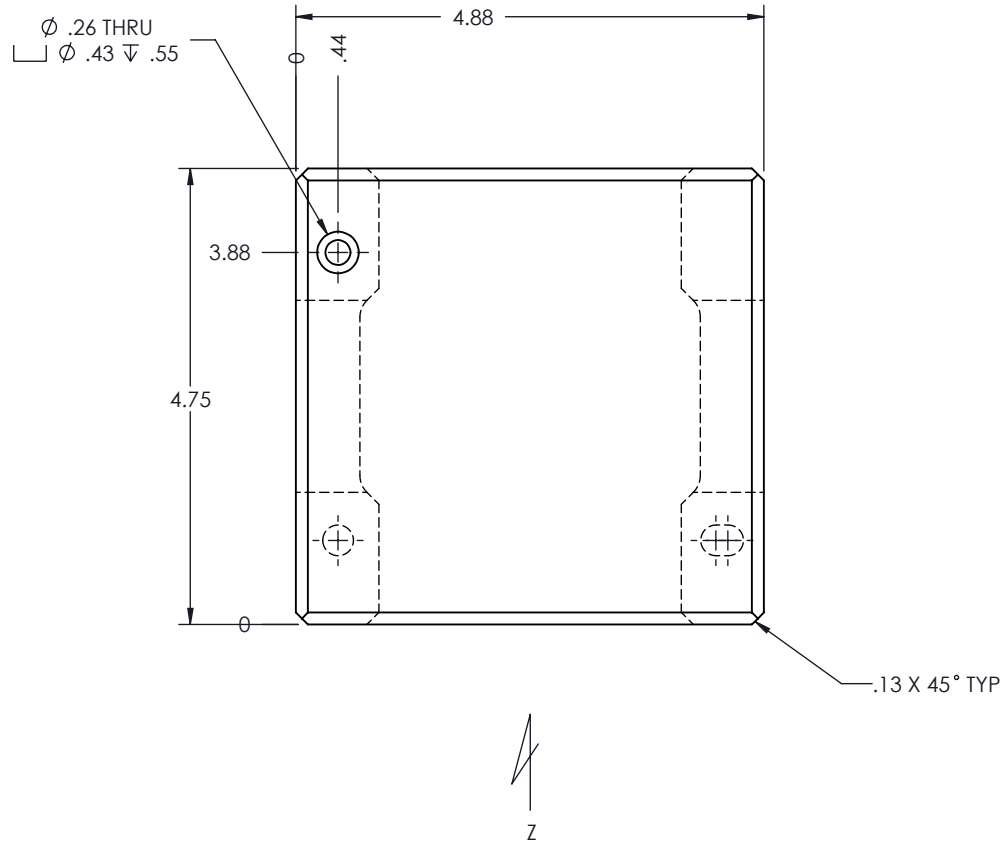
TITLE:
COBALT-PF/CF

DESCRIPTION: PALLET, 5X5, BLANK

SIZE A	DWG. NO. LMT-D01260	REV A
------------------	-------------------------------	-----------------


SCALE: 1:2 WEIGHT: SHEET 1 OF 5

REVISIONS		
REV.	DESCRIPTION	DATE
-	See Sheet1	-

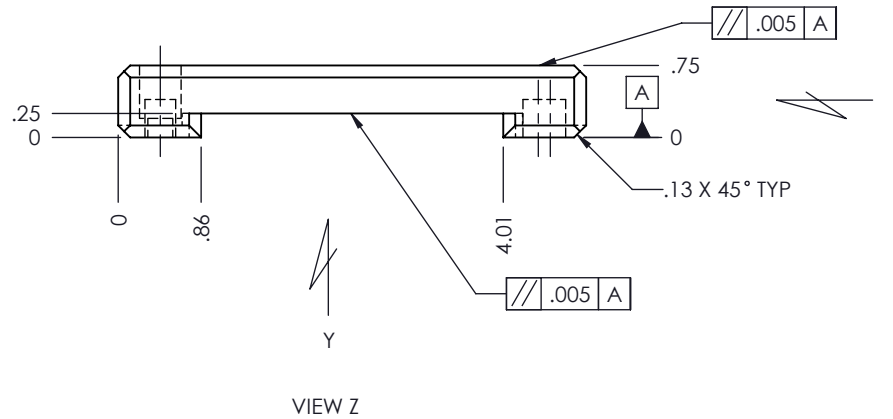


UNLESS OTHERWISE SPECIFIED: ALL ALUMINUM WILL BE BLACK ANODIZED DIMENSIONS ARE IN INCHES TOLERANCES: FRACTIONAL ± ANGULAR: MACH ± BEND ± TWO PLACE DECIMAL ±0.01 THREE PLACE DECIMAL ±0.005 MAX SURFACE FINISH: 125µIN DOWEL HOLE TOLERANCES: P.F. +0.0000/-0.0005 S.F. +0.0010/+0.0005 MATERIAL: ACETAL FINISH WHITE DO NOT SCALE DRAWING	NAME JP	DATE 4/28/2016
--	------------	-------------------

PROPRIETARY AND CONFIDENTIAL
THE INFORMATION CONTAINED IN THIS DRAWING IS THE SOLE PROPERTY OF LASER MARKING TECHNOLOGIES, LLC. ANY REPRODUCTION IN PART OR AS A WHOLE WITHOUT THE WRITTEN PERMISSION OF LASER MARKING TECHNOLOGIES, LLC IS PROHIBITED.

 Laser Marking Technologies, LLC		
TITLE: COBALT-PF/CF		
DESCRIPTION: PALLET, 5X5, BLANK		
SIZE A	DWG. NO. LMT-D01260	REV A
SCALE: 1:2	WEIGHT:	SHEET 2 OF 5

REVISIONS		
REV.	DESCRIPTION	DATE
-	See Sheet1	-



PROPRIETARY AND CONFIDENTIAL
 THE INFORMATION CONTAINED IN THIS DRAWING IS THE SOLE PROPERTY OF LASER MARKING TECHNOLOGIES, LLC. ANY REPRODUCTION IN PART OR AS A WHOLE WITHOUT THE WRITTEN PERMISSION OF LASER MARKING TECHNOLOGIES, LLC IS PROHIBITED.

UNLESS OTHERWISE SPECIFIED:
 ALL ALUMINUM WILL BE BLACK ANODIZED
 DIMENSIONS ARE IN INCHES
 TOLERANCES:
 FRACTIONAL ±
 ANGULAR: MACH ± BEND ±
 TWO PLACE DECIMAL ±0.01
 THREE PLACE DECIMAL ±0.005
 MAX SURFACE FINISH: 125µIN
 DOWEL HOLE TOLERANCES:
 P.F. +0.0000/-0.0005
 S.F. +0.0010/+0.0005
 MATERIAL: ACETAL
 FINISH: WHITE
 DO NOT SCALE DRAWING

	NAME	DATE
DRAWN	JP	4/28/2016
CHECKED		
ENG APPR.		
MFG APPR.		
Q.A.		
COMMENTS:		

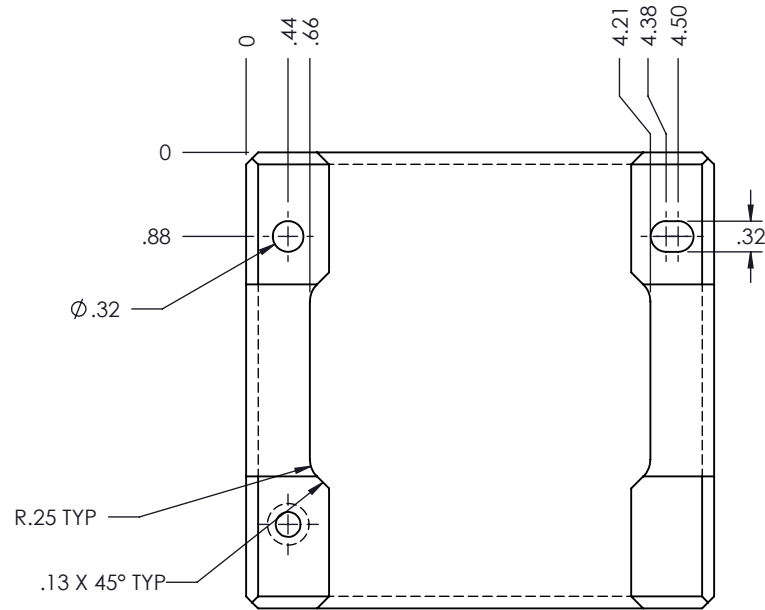
Laser Marking Technologies, LLC

TITLE:
COBALT-PF/CF

DESCRIPTION: PALLET, 5X5, BLANK

SIZE A	DWG. NO. LMT-D01260	REV A
SCALE: 1:2	WEIGHT:	SHEET 3 OF 5

REVISIONS		
REV.	DESCRIPTION	DATE
-	See Sheet1	-



VIEW Y

PROPRIETARY AND CONFIDENTIAL
 THE INFORMATION CONTAINED IN THIS DRAWING IS THE SOLE PROPERTY OF LASER MARKING TECHNOLOGIES, LLC. ANY REPRODUCTION IN PART OR AS A WHOLE WITHOUT THE WRITTEN PERMISSION OF LASER MARKING TECHNOLOGIES, LLC IS PROHIBITED.

UNLESS OTHERWISE SPECIFIED:
 ALL ALUMINUM WILL BE BLACK ANODIZED
 DIMENSIONS ARE IN INCHES
 TOLERANCES:
 FRACTIONAL ±
 ANGULAR: MACH ± BEND ±
 TWO PLACE DECIMAL ±0.01
 THREE PLACE DECIMAL ±0.005
 MAX SURFACE FINISH: 125µIN
 DOWEL HOLE TOLERANCES:
 P.F. +0.0000/-0.0005
 S.F. +0.0010/+0.0005
 MATERIAL: ACETAL
 FINISH: WHITE
 DO NOT SCALE DRAWING

	NAME	DATE
DRAWN	JP	4/28/2016
CHECKED		
ENG APPR.		
MFG APPR.		
Q.A.		
COMMENTS:		

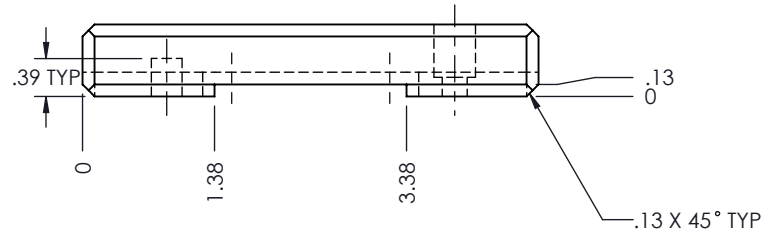
Laser Marking Technologies, LLC

TITLE:
COBALT-PF/CF

DESCRIPTION: PALLET, 5X5, BLANK

SIZE A	DWG. NO. LMT-D01260	REV A
SCALE: 1:2	WEIGHT:	SHEET 4 OF 5

REVISIONS		
REV.	DESCRIPTION	DATE
-	See Sheet1	-



VIEW X

PROPRIETARY AND CONFIDENTIAL
 THE INFORMATION CONTAINED IN THIS DRAWING IS THE SOLE PROPERTY OF LASER MARKING TECHNOLOGIES, LLC. ANY REPRODUCTION IN PART OR AS A WHOLE WITHOUT THE WRITTEN PERMISSION OF LASER MARKING TECHNOLOGIES, LLC IS PROHIBITED.

UNLESS OTHERWISE SPECIFIED:
 ALL ALUMINUM WILL BE BLACK ANODIZED
 DIMENSIONS ARE IN INCHES
 TOLERANCES:
 FRACTIONAL ±
 ANGULAR: MACH ± BEND ±
 TWO PLACE DECIMAL ±0.01
 THREE PLACE DECIMAL ±0.005
 MAX SURFACE FINISH: 125µIN
 DOWEL HOLE TOLERANCES:
 P.F. +0.0000/-0.0005
 S.F. +0.0010/+0.0005
 MATERIAL: ACETAL
 FINISH: WHITE
 DO NOT SCALE DRAWING

	NAME	DATE
DRAWN	JP	4/28/2016
CHECKED		
ENG APPR.		
MFG APPR.		
Q.A.		
COMMENTS:		

Laser Marking Technologies, LLC

TITLE:
COBALT-PF/CF

DESCRIPTION: PALLET, 5X5, BLANK

SIZE A	DWG. NO. LMT-D01260	REV A
SCALE: 1:2	WEIGHT:	SHEET 5 OF 5