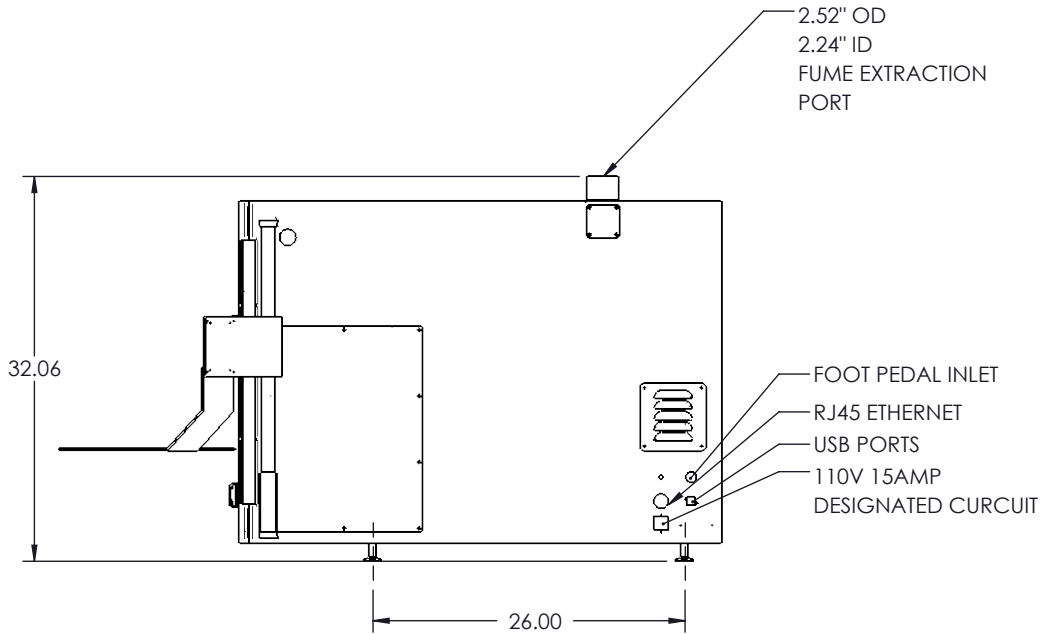
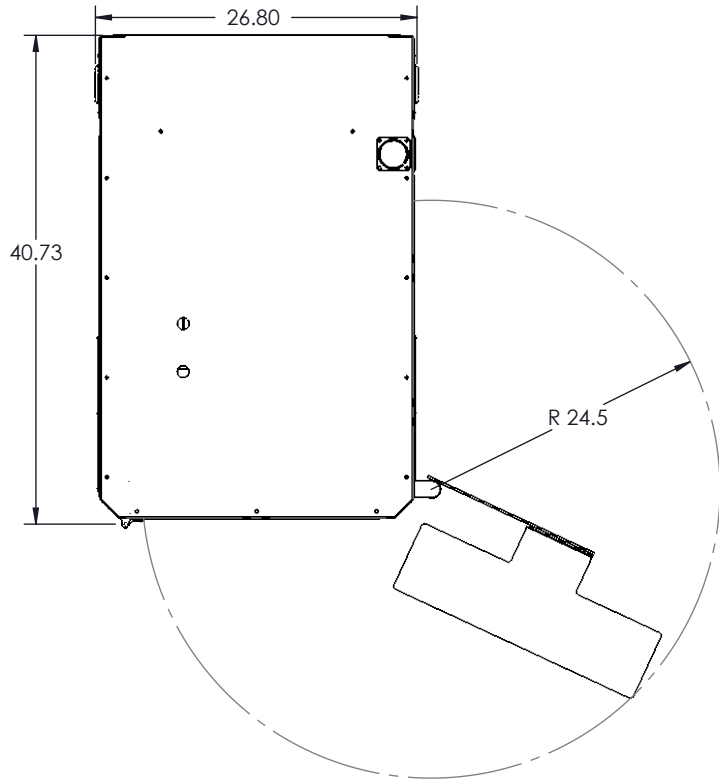


REVISIONS		
REV.	DESCRIPTION	DATE



<p>UNLESS OTHERWISE SPECIFIED:          ALL ALUMINUM WILL BE BLACK ANODIZED          DIMENSIONS ARE IN INCHES          TOLERANCES:          FRACTIONAL ±          ANGULAR: MACH ± BEND ±          TWO PLACE DECIMAL ±0.01          THREE PLACE DECIMAL ±0.005          MAX SURFACE FINISH: 125µIN          DOWEL HOLE TOLERANCES:          P.F. +0.0000/-0.0005          S.F. +0.0010/+0.0005          MATERIAL:          FINISH</p>	NAME	DATE
	DRAWN	5/30/2019
	CHECKED	
	ENG APPR.	
	MFG APPR.	
	Q.A.	
COMMENTS:		
DO NOT SCALE DRAWING		

**PROPRIETARY AND CONFIDENTIAL**  
 THE INFORMATION CONTAINED IN THIS DRAWING IS THE SOLE PROPERTY OF LASER MARKING TECHNOLOGIES, LLC. ANY REPRODUCTION IN PART OR AS A WHOLE WITHOUT THE WRITTEN PERMISSION OF LASER MARKING TECHNOLOGIES, LLC IS PROHIBITED.

**Laser Marking Technologies, LLC**

TITLE: **FLOOR PLAN**

DESCRIPTION: **DOMINATOR 3D**

SIZE	DWG. NO.	REV
<b>A</b>	<b>PRT-12102-3D</b>	<b>A</b>
SCALE: 1:24 WEIGHT:		SHEET 1 OF 1